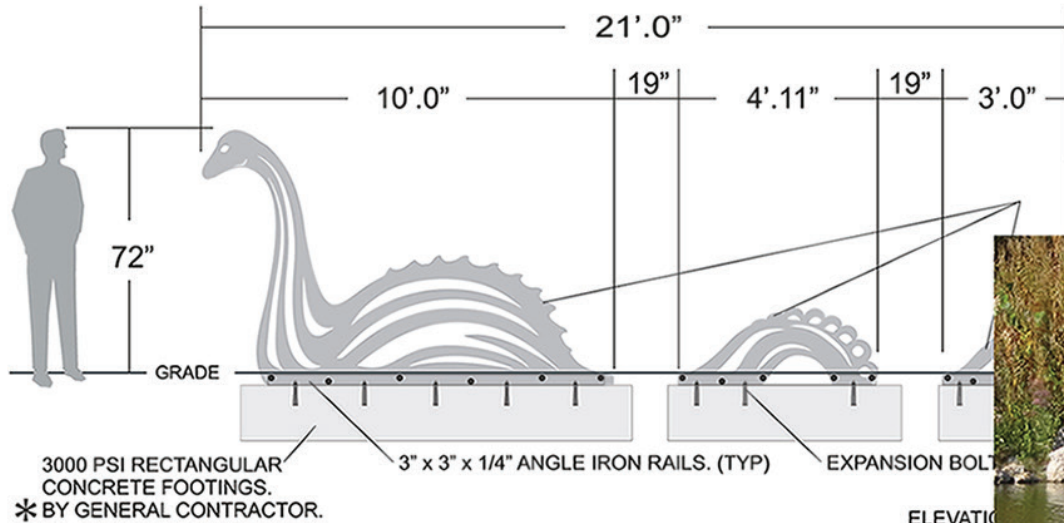


TOM SLICK PARK / LOCH NESS STRUCTURE / ALUMINUM CUSTOM CUT / HWY 151 / SAN ANTONIO, TX. / 1-26-10



1/2" THICK ALUMINUM PLATE  
 CUT AS SHOWN. CUSTOM  
 SANDER CIRCULAR FINISH

ELEVATION  
 SCALE:



Drawn by:  
 MIKE QUANTE

Date: 1-26-10

Rev:

SCALE: 3/8" = 1' 0"

/ SHOP DRAWINGS

Date:

Site: 725 San Antonio, Texas 78164. Office: 210-637-6050. Fax: 210-637-6189. Email: mquante@signdesigninc.com. www.signdesigninc.com

This design created in connection with this project being planned for you, is the exclusive property of Signs & Designs, Inc. and cannot be copied, exhibited, or shown to anyone outside of your organization without the authorized written consent of Signs & Designs, Inc.